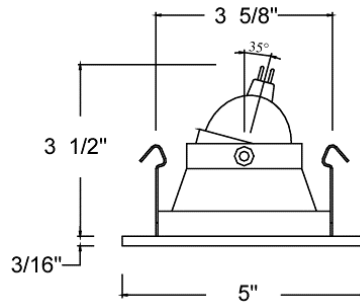


CATALOG NUMBER	TYPE
PROJECT	

4" LOW VOLTAGE DOWNLIGHT TRIM

HR-8412



Ordering Matrix					
Series	Model Number	Finish			
<input type="text"/>	<input type="text"/>	<input type="text"/>			
HR	8412	BN	CL	BK	CB

Ordering Example (series – model number – finish): HR-8412-CL

Product Details

- Description:** Recessed adjustable trim with specular reflector for maximum efficiency. For use with HR-8400 series low voltage downlights.
- Materials:** Durable stamped metal trim with specular anodized aluminum reflector. Fingered retention clips firmly hold trim to housing.
- Aiming:** Center lamp holder allows the lamp to be tilted to 35° from nadir.
- Lamping:** Utilizes 12 volt MR16 lamps. Ordered Separately.
50w or 75w maximum, see individual housing for wattage rating.
Trim supplied with clear tempered glass lens cover for lamp.
- Finish:** Abrasion resistant powder coat painted or plated metal finish. Available in Clear reflector with Brushed Nickel trim (BN), Black reflector with white trim (BK), Clear reflector with copper bronze trim (CB) or Clear reflector with White trim (CL).
- Listing:** UL & CUL Listed. Suitable for damp locations.

Specification Features

- Recessed alternative to surface mounted track lights.
- The supplied clear glass lens can be replaced with one lens accessory such as a colored dichroic lens, UV filter lens, frosted lens, etc. See catalog or website for full lens accessory selection.
- Handles surfaces up to 3/4".
- 5 year WAC Lighting product warranty.

Compatible Housings (sold separately):

HR-8401E Non IC Remodeling 12 Volt Electronic Lamp: MR16 50W Max		HR-8401H & HF Non IC Remodeling 12 volt Magnetic Lamp: MR16 50W Max		HR-8402E Non IC New Construction 12 Volt Electronic Lamp: MR16 50W Max	
HR-8402H & HF Non IC New Construction 12 Volt Magnetic Lamp: MR16 50W Max		HR-8402HL & HFL Non IC New Construction 12 Volt Magnetic Lamp: MR16 75W Max		HR-8403H & HF IC Rated. Air tight ready. New Construction 12 Volt Magnetic Lamp: MR16 50W Max	